

TEC-CR Series

- Fitted with TEC-VACU Withdrawable Vacuum Circuit Breaker
- Rated Voltage: 12kV and 24kV
- Rated current: 630A up to 4000A
- Built-in Earthing Switch
- Full Completed Mechanical Interlocking System



Tien'o Enterprise Co., Ltd.

ISO 9001



Head Office

Tien'o Enterprise Co., Ltd.

5F.128 Sec. 4, Cheng-The Rd, Taipei, Taiwan

Tel: 886-2-2885 3883

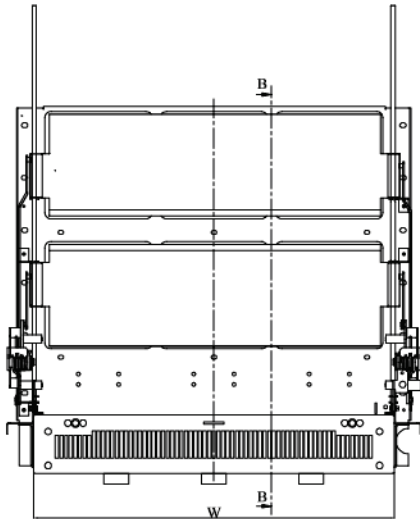
Fax: 886-2-2886 4966

TEC-CR series

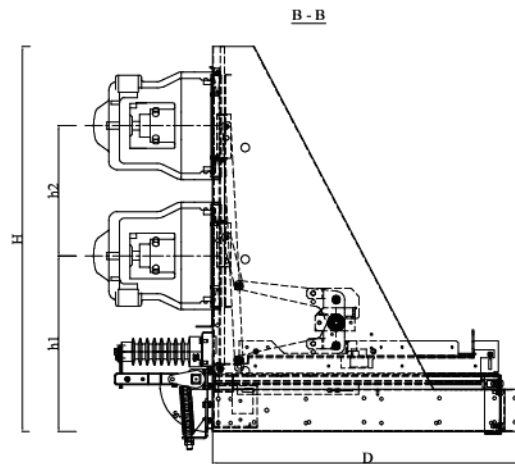
Withdrawable Vacuum Circuit Breaker with Cradle

Fitted with TEC-VACU series withdrawable vacuum circuit-breaker, TEC-MC series.

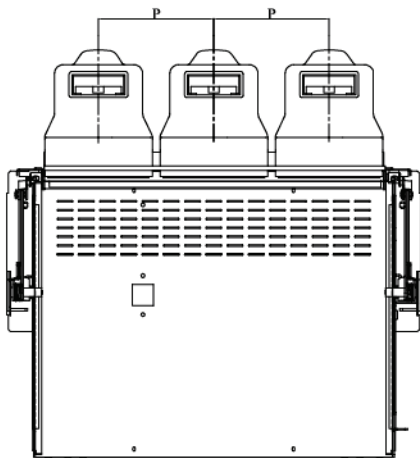
FRONT VIEW



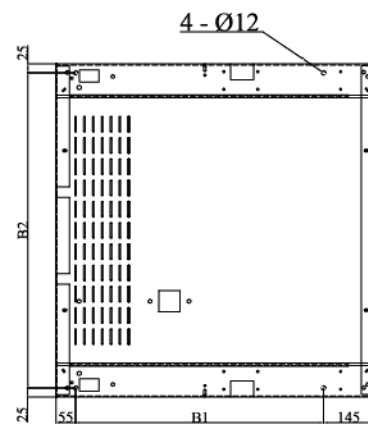
SIDE VIEW



TOP VIEW



PUNCHING HOLES FOR BASE OF CRADLE



| Width of Switchgear (mm) | Rated Voltage (kV) | Rated Current (A) | Phase to Phase Distance (mm) | h1 (mm) | h2 (mm) | H (mm) | D (mm) | W (mm) | P (mm) | B1 (mm) | B2 (mm) |
|--------------------------|--------------------|-------------------|------------------------------|---------|---------|--------|---------|---------|---------|---------|---------|
| 1000 (*) | 24 | 630-1600 (*) | 275 (*) | 325 | 310 | 1086 | 900 (*) | 940 (*) | 275 (*) | 700 | 890 |
| | | 1600-2500 | 275 | 325 | 310 | 1086 | 900 | 940 | 275 | 700 | 890 |
| 800 (*) | 12 | 630-1600 | 210 | 280 | 275 | 1036 | 755 | 740 | 210 | 555 | 690 |
| | | 1600-4000 (*) | 210 (*) | 280 | 275 | 1036 | 755 (*) | 740 (*) | 210 (*) | 555 | 690 |

NOTICE:

- (*) For 24kV, we can supply Cradle with phase - phase distance of VCB (from 630A up to 1600A) is be 210mm.
- (*) For 12kV, we can supply Cradle with phase - phase distance of VCB (from 1600A up to 4000A) is be 275mm.